

HMI40 / LP40

New HMIs and PACs ARM Cortex A9 multicore processor families



DIGITAL AUTOMATION TECHNOLOGIES

HMI40 - Highlights



- **Premium HMI 5** BASIC and ADVANCED WinCE runtime versions
- **ASEM UBIQUITY Pro** WinCE remote assistance software
- **Windows Embedded Compact 7 Pro** operating system with Datalight Reliance Nitro file system
- NXP® **ARM Cortex A9 i.MX6 1,00 GHz DualLite** processor
- Front panel available in three variants: **aluminium**, **aluminium TrueFlat** with resistive touchscreen and **aluminium TrueFlat** with **P-CAP Multitouch**
- **Wide range of TFT LCD 16 mln colors and LED backlight displays**
 - 4:3 aspect ratio: 8.4", 10.4", 12.1", 15"
 - wide aspect ratio: 7", 10.1", 12.1", 15.6"
- **Smart Memory System**
 - 1 GB RAM DDR3
 - 4 GB eMMC (SSD Pseudo-SLC)
 - 1 MicroSD slot
- **Interfaces**
 - 2 x Ethernet 10/100/1000 Mbps
 - 2 x USB 2.0
 - 1 x RS232/422/485 (DB15M) with MPI/PPI protocol support
 - Optional 1 x RS485 isolated (DB9M)
- **Isolated 24V DC Power supply** input

HMI40 – Technical features



	HMI40	HMI40-TF	HMI40-TFM
HMI Software	PREMIUM HMI 5 BASIC ADVANCED		
Remote Assistance SW	ASEM UBIQUITY PRO		
O.S.	Windows Embedded Compact 7 Pro with Datalign Reliance Nitro file system		
LED backlight TFT LCD	7" W - 800x480 8.4" - 800x600 10.1" W - 1280x800 10.4" - 800x600 12.1" - 800x600 12.1" - 1024x768 12.1" W - 1280x800 15.0" - 1024x768 15.6" W - 1366x768		7" W - 800x480 10.1" W - 1280x800 12.1" W - 1280x800 15.6" W - 1366x768
TOUCH-SCREEN	Resistive 4 wires for 7" Resistive 5 wires for other sizes		P-CAP Multitouch
FRONT PANEL	Aluminium	TrueFlat Aluminium	True Flat Aluminium Multitouch
PROTECTION GRADE	IP66, Enclosure type 4x - frontal		
PROCESSOR	ARM Cortex A9 processor Freescale® i.MX6 Dual Lite 1 GHz		
SYSTEM MEMORY - RAM	1 GB with DDR3 chips soldered		
MASS STORAGE	4 GB eMMC (Solid State Disk Pseudo-SLC) 1 x Slot MicroSD		
LAN	2 x Ethernet 10/100/1000 Mbps (RJ45)		
USB	2 x USB 2.0 (Type-A, rear)		
SERIAL	1 x RS232/422/485 (DB15M) 1 x RS485 isolated (DB9M) with terminations (optional)		
POWER SUPPLY INPUT	24VDC isolated		
OPERATING TEMPERATURE	0° - 50°C		
APPROVALS	CE, cULus LISTED (61010), ATEX zone 22, II 3 D	CE, cULus LISTED (61010), ATEX zone 2/22, II 3 G D	

LP40 - Highlights



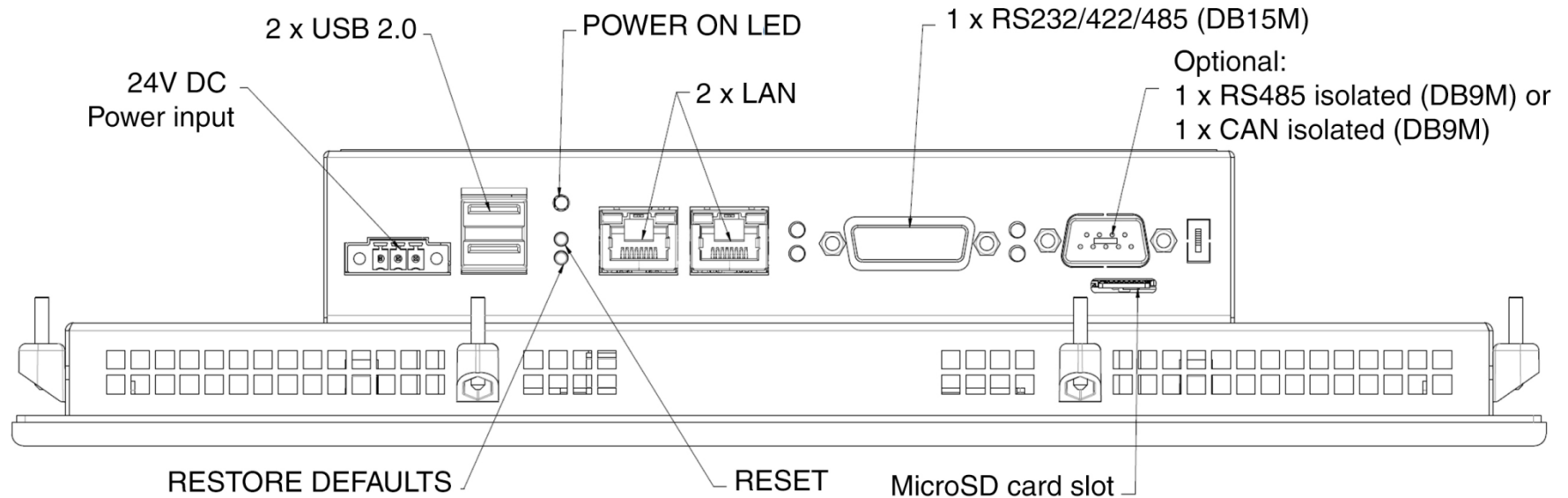
- **SoftPLC CODESYS SP v3.5x** WinCE runtime
- **Premium HMI 5** BASIC and ADVANCED WinCE runtime versions
- **ASEM UBIQUITY Pro** WinCE remote assistance software
- **Windows Embedded Compact 7 Pro** operating system with Datalight Reliance Nitro file system
- NXP® **ARM Cortex A9 i.MX6 1,00 GHz DualLite** processor
- Front panel available in three variants: **aluminium**, **aluminium TrueFlat** with resistive touchscreen and **aluminium TrueFlat** with **P-CAP Multitouch**
- **Wide range of TFT LCD 16 mln colors and LED backlight displays**
 - 4:3 aspect ratio: 8.4", 10.4", 12.1", 15"
 - wide aspect ratio: 7", 10.1", 12.1", 15.6"
- **Smart Memory System**
 - 1 GB RAM DDR3
 - 4 GB eMMC (SSD Pseudo-SLC)
 - 512 kB MRAM (magnetoresistive RAM)
 - 1 MicroSD slot
- **Interfaces**
 - 2 x Ethernet 10/100/1000 Mbps
 - 2 x USB 2.0
 - 1 x RS232/422/485 (DM15M) with MPI/PPI protocol support
 - Optional add-on (only one):
 - 1 x RS485 isolated (DB9M)
 - 1 x CAN RAW isolated (DB9M)
- **Isolated 24V DC Power supply** input with Integrated **MicroUPS** to save retentive variables on 512 kB MRAM memory

LP40 – Technical features



	LP40	LP40-TF	LP40-TFM
SoftPLC	SoftPLC CODESYS SP v3.5x		
Supported protocols	EtherCAT Master, MODBUS TCP Master, MODBUS RTU Master, CANopen Master		
HMI Software	PREMIUM HMI 5 BASIC ADVANCED		
Remote Assistance SW	ASEM UBIQUITY PRO		
O.S.	Windows Embedded Compact 7 Pro with Datalign Reliance Nitro file system		
LED backlight TFT LCD	7"W - 800x480 8.4" - 800x600 10.1"W - 1280x800 10.4" - 800x600 12.1" - 800x600 12.1" - 1024x768 12.1"W - 1280x800 15.0" - 1024x768 15.6"W - 1366x768		7"W - 800x480 10.1"W - 1280x800 12.1"W - 1280x800 15.6"W - 1366x768
TOUCH-SCREEN	Resistive 4 wires for 7" Resistive 5 wires for other sizes		P-CAP Multitouch
FRONT PANEL	Aluminium	Aluminium TrueFlat	True Flat Aluminium and Glass
PROTECTION GRADE	IP66, Enclosure type 4x - frontal		
PROCESSOR	ARM Cortex A9 processor Freescale® i.MX6 Dual Lite 1 GHz		
SYSTEM MEMORY - RAM	1 GB with DDR3 chips soldered		
MASS STORAGE	4 GB eMMC (Solid State Disk Pseudo-SLC) 512 kB MRAM for retentive variables 1 x Slot MicroSD		
LAN	2 x Ethernet 10/100/1000 Mbps (RJ45)		
USB	2 x USB 2.0 (Type-A, rear)		
SERIAL	1 x RS232/422/485 (DB15M) 1 x RS485 isolated (DB9M) with terminations (optional, alternative to CAN)		
CAN	1 x CAN isolated channel (DB9M) with terminations (optional, alternative to RS485)		
POWER SUPPLY INPUT	24VDC isolated with MicroUPS: backup for microinterruption, max 500ms, with supercapacitors		
OPERATING TEMPERATURE	0° - 50°C		
APPROVALS	CE, cULus LISTED (61010), ATEX zone 22, II 3 D	CE, cULus LISTED (61010), ATEX zone 2/22, II 3 G D	

HMI40/LP40 – Interfaces & Connectors



ASEM S.p.A.
Via Buia 4
33011 Artegna (UD)
Italy
Tel. +39/0432-9671

industrialautomation@asem.it
www.asem.it

