


Industrial Automation - Products & Configurations

LBM2200 BASIC SYSTEM with MicroUPS > note 1		POWER [W]
Basic Configuration	Intel® Celeron® quad core J1900 2,00 GHz • 2GB RAM • fanless • DVI-I video output and VGA adapter • Microsoft Windows 10 IoT Enterprise 2016 LTSB Entry 64bit "MUI-A2" • SoftPLC CODESYS SP RTE v3.5x Win 64 • 24V DC isolated power supply with MicroUPS and 512kB MRAM • UBIQUITY PRO Win32/64 runtime • 12 month warranty	54

LBM2200 RVL BASIC SYSTEM with UPS > note 1		POWER [W]
Basic Configuration	Intel® Celeron® quad core J1900 2,00 GHz • 2GB RAM • fanless • Remote Video Link • DVI-D and USB 2.0 signals remotation (TX) up to 100m • Microsoft Windows 10 IoT Enterprise 2016 LTSB Entry 64bit "MUI-A2" • SoftPLC CODESYS SP RTE v3.5x Win 64 • 24V DC isolated power supply with UPS and 512kB MRAM • UBIQUITY PRO Win32/64 runtime • 12 month warranty	58

	-	RVL		POWER [W]
SoftPLC	•	•	SoftPLC CODESYS SP RTE v3.5x runtime for Win32/64 x86 systems Supported protocols: EtherCAT Master, EtherNet IP Scanner, MODBUS TCP Master, MODBUS RTU Master	-
	•	•	SoftPLC CODESYS SP RTE + SoftMotion v3.5x runtime for Win32/64 systems	-
	•	•	SoftPLC CODESYS SP RTE + SoftMotion + CNC v3.5x runtime for Win32/64 systems	-
	•	•		
REMOTE ASSISTANCE	•	•	ASEM UBIQUITY PRO Win32/64 runtime	
OPERATING SYSTEM > note 2	•	•	Microsoft Windows 10 IoT Enterprise 2016 LTSB Entry 64bit "MUI-A2" runtime (license with Microsoft olographic sticker)	-
	•	•	Microsoft Windows Embedded Standard 7E 32 bit "monolanguage" (license with Microsoft olographic sticker, associated to CODESYS Win32 licence)	-
	•	•	Microsoft Windows Embedded Standard 7P 32 bit "A2" (license with Microsoft olographic sticker, associated to CODESYS Win32 licence)	-
PROCESSOR	•	•	Intel® Celeron® J1900 • 2,00 GHz (2,42 GHz Burst), 2MB L2 cache • 4 cores, 4 threads • Soldered on-board	
RAM MEMORY	•	•	2 GB • 1 module SODIMM DDR3L-1600	
	•	•	4 GB • 1 module SODIMM DDR3L-1600	+ 1
	•	•	8 GB • 1 module SODIMM DDR3L-1600	+ 2
INTERNAL PSU	•	•	With supercapacitors MicroUPS and 512kB MRAM • integrated in power supply section	
	•	•	With UPS (uninterruptible power supply) and 512kB MRAM • integrated in power supply section • batteries kit excluded	- 19
EXTERNAL MONITOR OUTPUT	•	•	DVI-I (Single Link) video interface for additional external monitor • Max resolution 1920x1080 FullHD • VGA adapter included	
	•	•	Remote Video Link integrated • remotation up to 100m of DVI-D video signals and USB 2.0 • without cables > note 3	

OPTIONS				POWER [W]
TPM	•	•	TPM - Trusted Platform Module	0
SSD mSATA > note 4	•	•	SSD on mSATA connector onboard, SATA	2
SSD 2,5" > note 4	•	•	SSD 2,5" SATA installation kit (SSD not included)	-
	•	•	SSD 2,5" SATA	5
HDD 2,5" > note 4	•	•	HDD 2,5" SATA installation kit (HDD not included) • with shock absorber	-
	•	•	HDD 2,5" SATA	6
CFAST	•	•	CFast SATA	1
COMMUNICATION PORTS	•	•	1 x RS232/422/485 (DB15M) isolated • 2 x RS232 (DB9M) > note 5	3
	•	•	1 x RS232/422/485 (DB15M) isolated • 1 x Ethernet 10/100/1000Mbps, Intel® I210 > note 5	3
UPS BATTERY KIT	•	•	Batteries kit for detached mounting (wall mount) • 30cm cable included	15
	•	•	Batteries kit for detached mounting (wall mount) • 100cm cable included	15
WARRANTY EXTENSION	•	•	Warranty extension to 18 month	
	•	•	Warranty extension to 24 months	
	•	•	Warranty extension to 36 months	

NOTES	
1:	The power consumption of the configuration takes into consideration the maximum absorbed power of every component and does not include the consumption of the devices connected to the USB ports.
2:	Price does not include ASEM UBIQUITY DOMAIN that must be purchased one-off at the first order of a license or system that includes the UBIQUITY runtime. See pg.347
3:	WES 7E "Monolanguage" : Operating System in only one chosen language among English, Italian, German, Spanish, French and Brazilian; Languages supported for customer applications: English, Arabic, Portuguese (Brazil), Chinese simplified (China), Chinese traditional (Taiwan), Czech, Danish, Dutch, Finnish, French, German, Greek, Hebrew, Hungarian, Italian, Japanese, Korean, Norwegian, Polish, Portuguese (Portugal), Russian, Spanish, Swedish, Thai, Turkish. Are not present IME components (Input Method) for Japanese, Korean, Chinese simplified and traditional languages.
4:	WES 7P "A2" : Operating System with MUI components and language support (for customer defined applications) for following languages: English, Italian, German, French, Spanish, Brazilian, Simplified Chinese.
5:	W10 "MUI-A2" - Operating System with MUI components and language support (for customer defined applications) for following languages: English, Italian, German, French, Spanish, Brazilian, Simplified Chinese. Is possible freely install additional languages using an Internet connection and the operating system integrated services. Additional language footprint is about 300 MB.
6:	LBM2200 systems with RVL video output have to be used with a MHR100 or MKR100 monitor or with a RVL receiver module connected to a monitor with a DVI-D input.
7:	mSATA SSD and 2,5" SSD/HDD devices cannot be installed together
8:	Options signed by note 5 cannot be installed together



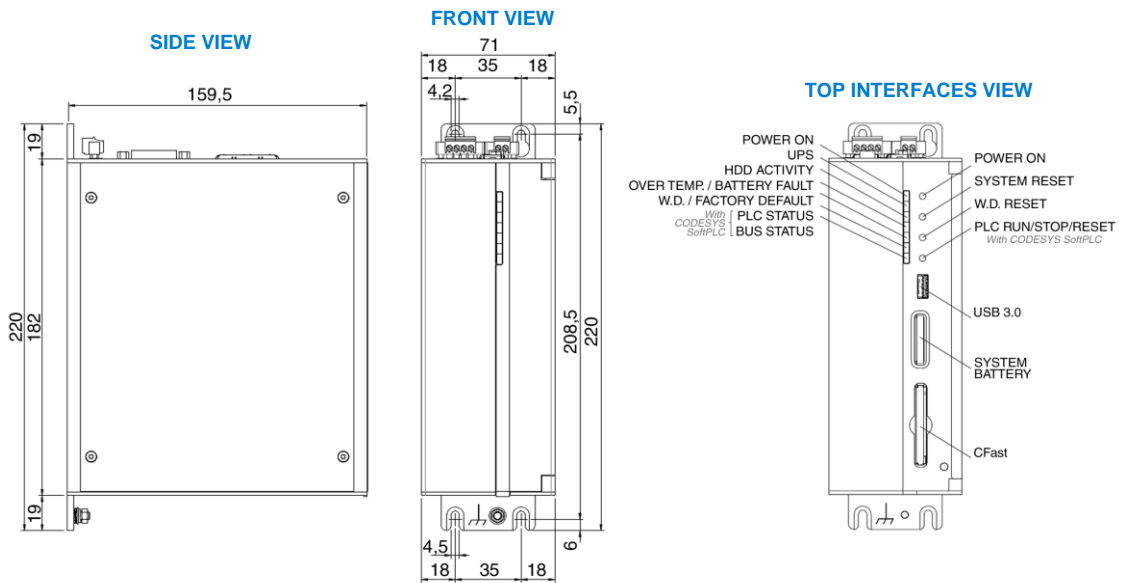
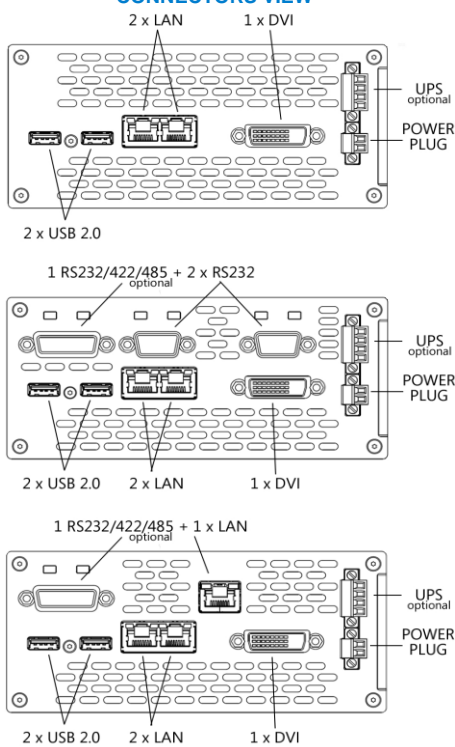
CODESYS SoftPLC Win32/x86 for LBM2200 main features	
PLC programming	IEC61131-3, CODESYS SP RTE v3.5x
Supported protocols	EtherCAT Master, EtherNet IP Scanner, MODBUS TCP Master, MODBUS RTU Master
Variables backup	512kByte on MRAM Automatic backup of retentive and persistent variables using MRAM at every power supply interruption or switch-off
Features	Cycle time $\geq 2\text{ms}$ Jitter $\pm 0,25\text{ms}$ Fieldbus Two fieldbuses gateway admitted

For CODESYS SP RTE details, see pg.354

ASEM UBIQUITY PRO main features	
Control Center application to access the service with intuitive and ergonomic user interface for a comprehensive machine park management	
Optimized VPN with access limited to the remote device with Ubiquity Runtime	
Optimized VPN with entire access to the complete remote device sub-network and serial passthrough	

For ASEM UBIQUITY details, see pg.347

TECHNICAL SPECIFICATIONS	
Case	Wall book mounting
Overall dimensions & weight	See details on the related section
Power supply	24VDC isolated • Input voltage: 18÷32V DC MicroUPS: backup function for microinterruption with supercapacitors • Max interruption: 500ms • First load: 15"
UPS (optional)	12V DC UPS (Uninterruptible Power Supply) battery backup system Batteries module: Pb, 12V/13A max, 2500mA/h • Charge time 3h@25°C • Discharge time 15'@5A and 25°C • Lifetime 10years@25°C
Motherboard	"All-In-One" type • ASEM 977
Watch dog	Time programmable
Intel platform Processor	Intel® Celeron® J1900 • 2,00 GHz (2,42 GHz Burst), 2MB L2 cache • 4 cores, 4 threads • Soldered on-board
Operating System	Microsoft Windows 10 IoT Enterprise 2016 LTSB 64bit • license with Microsoft olographic sticker Microsoft Windows Embedded Standard 7E "monolanguage" (license with Microsoft olographic sticker) Microsoft Windows Embedded Standard 7P "A2" (license with Microsoft olographic sticker)
Software Control	CODESYS SP RTE v3.5x for Win32/x86 runtime • SofRPLC, SoftMotion and CNC license with 3S sticker
Remote assistance	ASEM UBIQUITY PRO Win32/64 runtime license with ASEM sticker
Video controller	Intel® HD Graphics integrated into Intel® Celeron™ microprocessor • 688MHz
Video RAM (shared)	Dynamic Video Memory Technology • Memory quantity is automatically selected by operating system (max 1720 MB)
System memory	DDR3L-1066 type • 1 SODIMM module • min 2GB • max 8GB
Mass storage interfaces	1 x SATA II, 3Gb/s or 1 x mSATA II 3Gb/s
Front signalling (LED)	Power ON • UPS • HDD activity • Over temperature / Battery fault / Watchdog / Reset factory default • PLC status • BUS status
Front buttons (with open door)	Power ON • System Reset • Watchdog Reset • Factory Default Reset
On Top I/F	2 x Ethernet 10/100/1000 Mbps (RJ45), Intel® I210 • 2 x USB 2.0 (Type A) • 1 x DVI-I Single Link (max resolution: DVI-D/VGA 1920x1080 FullHD)
with RVL	2 x Ethernet 10/100/1000 Mbps (RJ45), Intel® I210 • 2 x USB 2.0 (Type A) • 1 x RJ45 (RVL OUT) remotation (TX) of DVI-D video signals and USB 2.0 up to 100 m
On Front I/F (with front door)	1 x slot cFast (bootable) • 1 x system battery slot (CR2032) • 1 x USB 3.0
Environmental specifications	Operating temperature: 0°C÷+50°C, 0°C÷+45°C with 24x7 HDD, +5°C÷+45°C with standard HDD • S torage temperature: -10° ÷ +60°C • Humidity: 80% (non-condensing)
Approvals	CE (EN 55022, EN 61000-3-2/3, EN 55024, EN 60950-1) • cULus LISTED (UL 61010)
Standard warranty	12 months • Warranty management by ASEM headquarters


OVERALL DIMENSIONS (mm)

LBM2200 CONNECTORS VIEW

LBM2200 RVL CONNECTORS VIEW
